

AVIAN SOLUTIONS

THUNDER GUN

INSTRUCTION MANUAL





- NEVER USE THE DEVICE IN CONFINED SPACES.**
- NEVER FIRE THE DEVICE AT A PERSON FROM CLOSE RANGE.**
- ONLY USE LPG OR PROPANE GAS.**
- THE GAS BOTTLE MUST ALWAYS BE UPRIGHT.**
- ONLY PEOPLE OVER 18 WHO HAVE READ THIS MANUAL CAN OPERATE THE DEVICE.**
- THE MANUFACTURER TAKES NO RESPONSIBILITY FOR DAMAGE CAUSED BY MODIFICATIONS OR INAPPROPRIATE USE.**
- NEVER PLACE ANY OBJECTS IN THE OUTLET OF THE BARREL.**
- TURN OFF THE GAS AND THE CONTROL BOX BEFORE PERFORMING ANY MAINTENANCE OR MOVING THE DEVICE.**
- CHECK THE LOCAL COUNCIL REGULATIONS BEFORE SETTING THE FIRING FREQUENCY AND VOLUME.**
- DO NOT SMOKE AROUND THIS DEVICE.**

SETUP INSTRUCTIONS



1. Remove thundergun and control box from packaging .



2. Fold down all 3 legs.

On uneven ground one leg may be need to be adjusted to make the barrel vertical.

Face solar panel towards mid - day sun.



3. Attach the control box.

Plug in the gas solenoid coil, spark plug, and spark plug earth.

4. Plug in the battery, turn the power switch on, check the battery level and the clock time is correct. For shaded areas a second battery can be added.



5. To adjust the time of the clock hold the centre switch to test for 5 seconds, scroll the clock to the correct time, then switch to run for 1 second to store the new time.

6. Set the start time, finish time, and actions per hour / volume. Ensure the operation time is only during the hours daylight and the number of cycles complies with local council regulations.



7. Hang the 9kg gas bottle on the hook under the barrel.



8. Screw in the gas regulator and turn on the gas bottle.

9. Set the centre switch to run and close the lid.

**The first cycle will start in 30 seconds.
Step away and protect your ears.
A test firing can also be activated by moving the centre switch to test.**



TROUBLESHOOTING

FAULT

REMEDY

The gas solenoid does not click.	Check the plug and wiring to the gas solenoid coil. replace the solenoid coil.
The gas solenoid clicks but no gas flow can be heard. Or The explosion has reduced volume.	Check the gas bottle is not empty. Check the regulator is fully screwed in and the bottle is turned on. Unscrew the gas system, remove the jet and check for blockage. Replace the gas system.
The spark plug does not spark.	Check the plugs and wiring to the spark plug and spark plug earth. Remove the spark plug and check for debris or water. Ensure the spark plug gap is 3 - 4 mm. If there is water pooled in the barrel check the barrel drain hole. Replace the spark plug.
The top does not turn.	Check the top retaining nut is not too tight. Replace the top plastic bush.
The battery goes flat.	Ensure the solar panel is facing the mid day sun. Check the solar panel for damage. Install a second battery. Charge the battery with a 12v wall charger. The solar panel output can be checked by turning the box on with the battery removed and the solar panel facing the sun, the box turn on and indicate full battery.
The clock always reads 12:00 when the box is turned on.	Replace the internal clock battery (CR2032 type battery) Note the box will function with a flat clock battery but the time needs to be set every time the box is turned on.
The display says "timeset error"	Adjust the time set knobs so the finish time is after the start time.

MAINTENANCE AND STORAGE

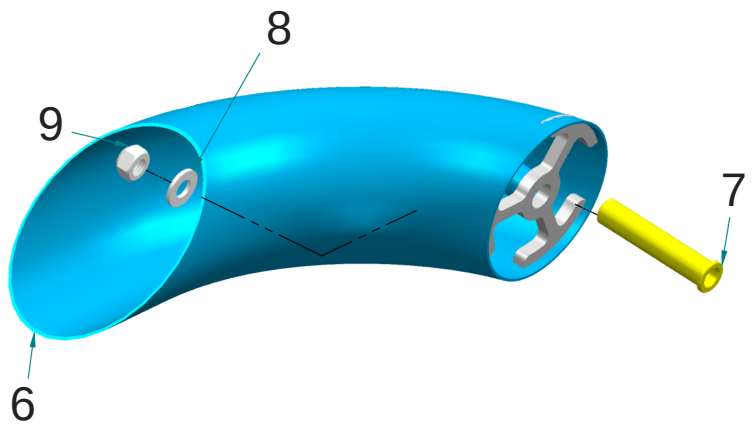
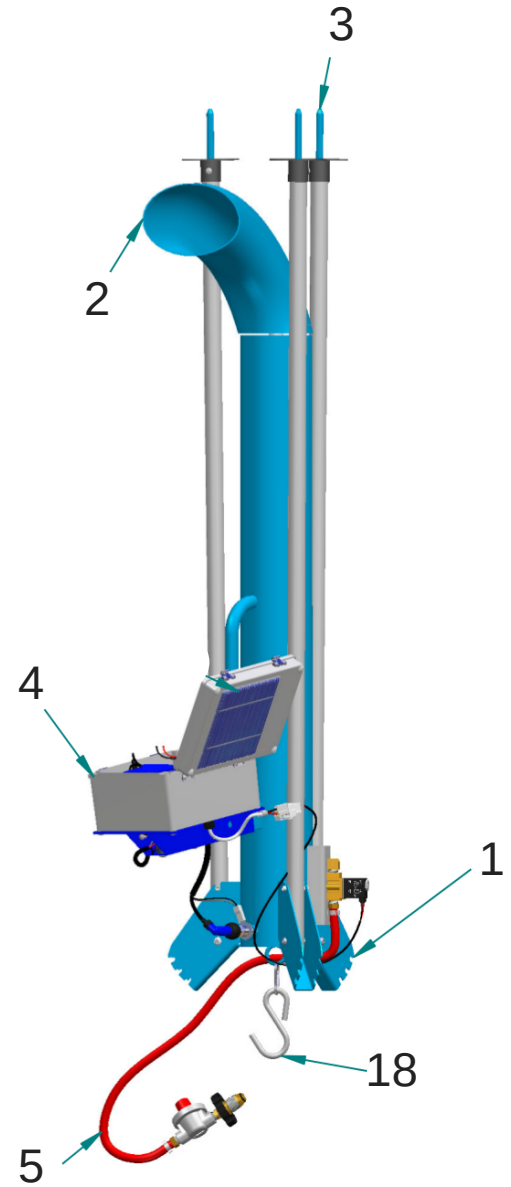
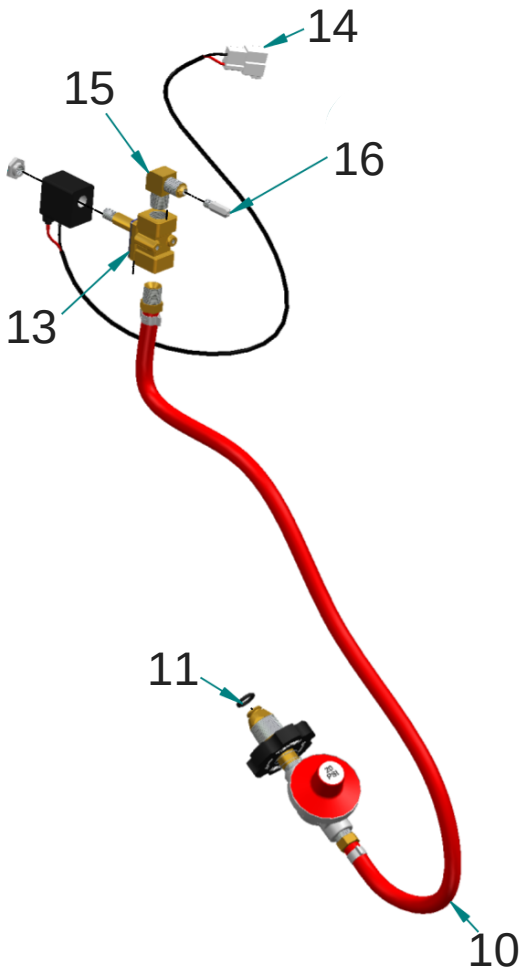
- **Check the top plastic bush for wear annually, it will need replacing every 3-5 years.**
- **Inspect the gas system for damage, leaks, and blockage annually.**
- **Store the gun inside with the dust cover on the gas regulator. The battery should be above 50% and unplugged.**
- **At the beginning of the season charge the battery by placing the box in the sun for 3 days or more with the battery connected, the battery will charge with the box turned off.**

SPECIFICATIONS

- **Weight** - **11.8kg Without gas bottle**
- **Size folded** - **1230mm x 500mm x 270mm.**
- **Size extended** - **1970mm H x 1350mm W.**
- **Battery** - **12v 6.6ah Li-ion**
- **Sound** - **Approximately 120 dB(A) fast when measured perpendicular to the end of the barrel at 1 meters distance.**
- **Coverage** - **4-5 hectares.**
- **Gas usage** - **Approximately 9kg in 6 weeks on the highest setting.**
- **Clock battery life** - **5-7 Years.**

SPARE PARTS

Item	Part number	Description
1	TG001	Barrel
2	TG002	Top swivel complete
3	TG003	Leg complete
4	TG004	Control box complete
5	TG005	Gas system complete
6	TG006	Top swivel
7	TG007	Top swivel bush </td
8	TG008	Top swivel washer
9	TG009	Top swivel nut
10	TG010	Gas regulator & hose
11	TG011	Gas regulator seal
12	TG012	Gas solenoid complete
13	TG013	Gas solenoid body
14	TG014	Gas solenoid coil
15	TG015	Gas elbow
16	TG016	Gas jet
17	TG017	Bottle hook
18	TG018	Box release



SPARE PARTS

Item	Part number	Description
19	TG019	Box frame
20	TG020	Box shell
21	TG021	Box lid & solar panel
22	TG022	Box PCB complete
23	TG023	Battery
24	TG024	Spark plug
25	TG025	Spark plug earth
26	TG026	Spark plug cap
27	TG027	Igniter
28	TG028	Clock battery
29	TG029	Leg tube
30	TG030	Foot
31	TG031	Leg spring
32	TG032	Leg rollpin
33	TG033	Leg bolt & nut

